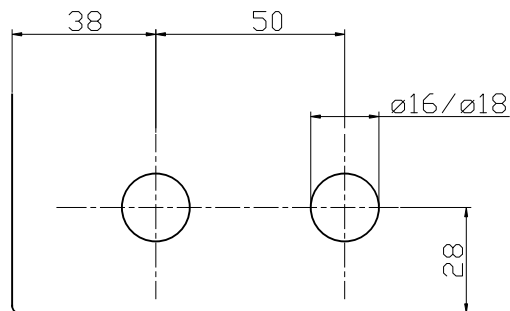


T1.02

(mm)



T1.02

(inch)

