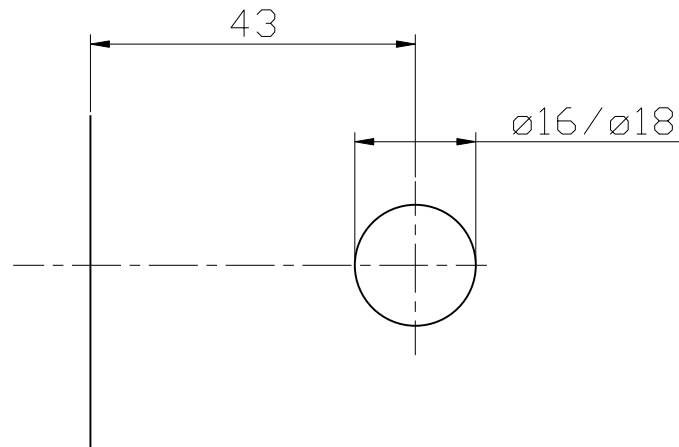


# T1.53

(mm)



# T1.53

(inch)

